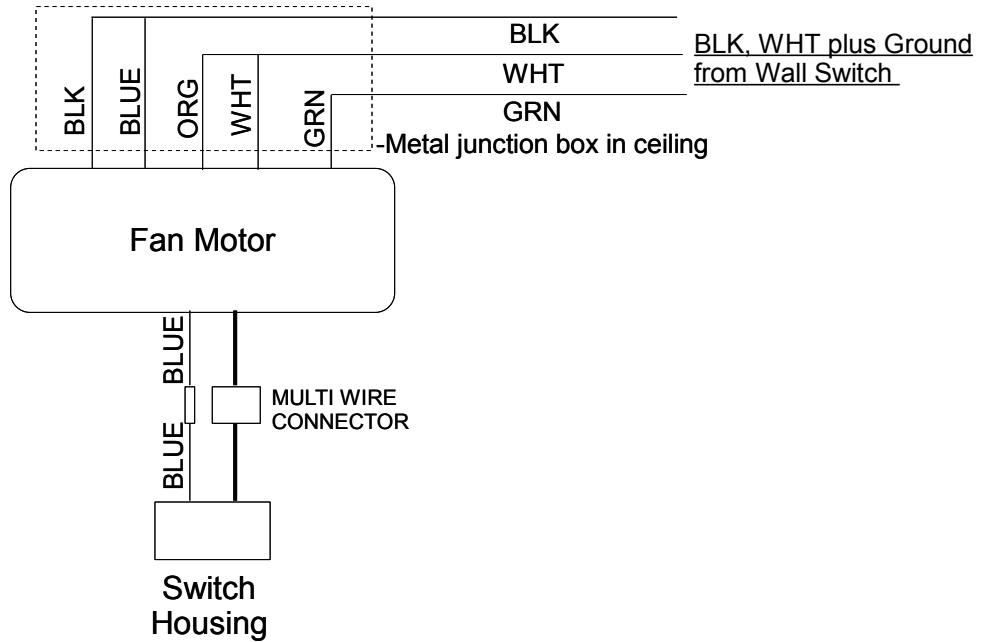


# Optional Wiring Diagrams for Fans with Up Lights

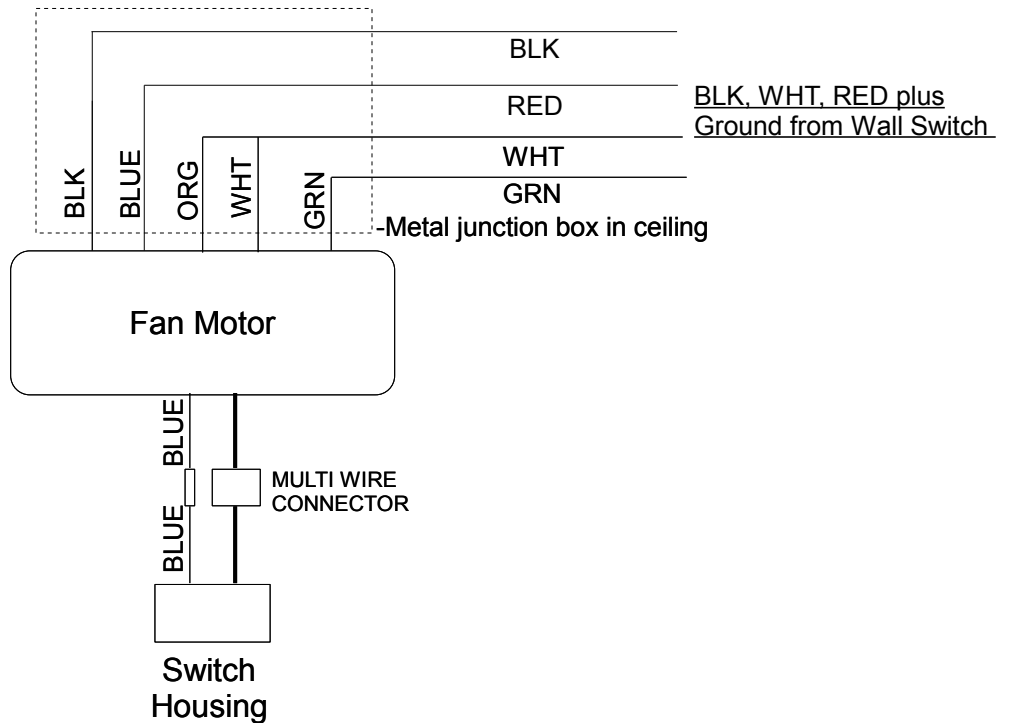
## KV52 Fans

### 2 Wires coming from Wall Switch

Power controlled by wall switch – Fan and Lights controlled by Pull Chains



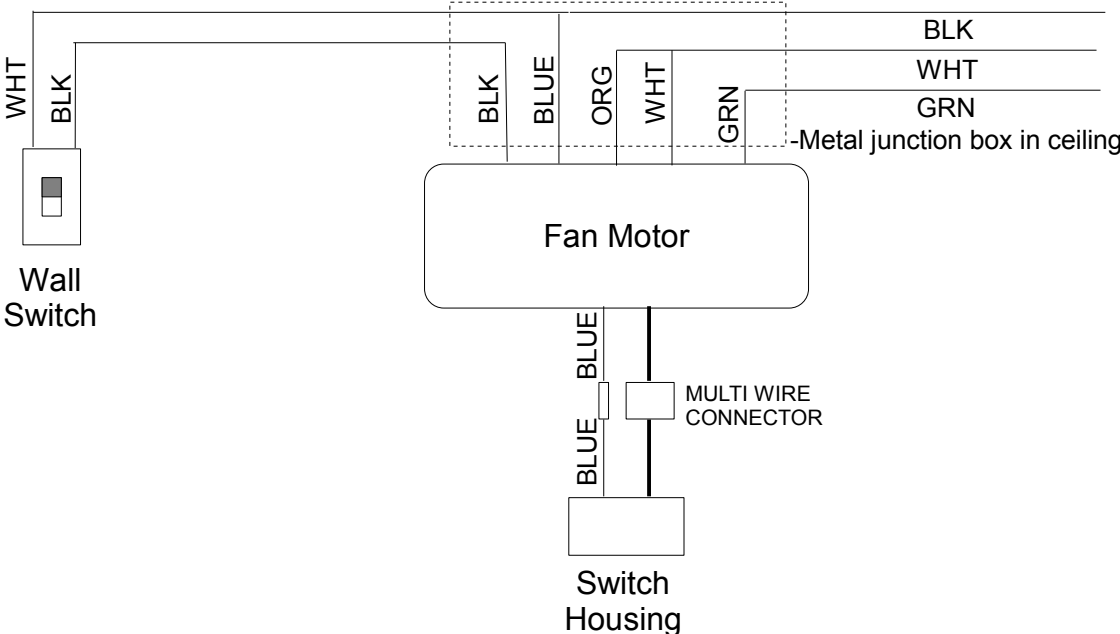
### 3 Wires coming from Wall Switch Fan and Lights controlled by wall switches



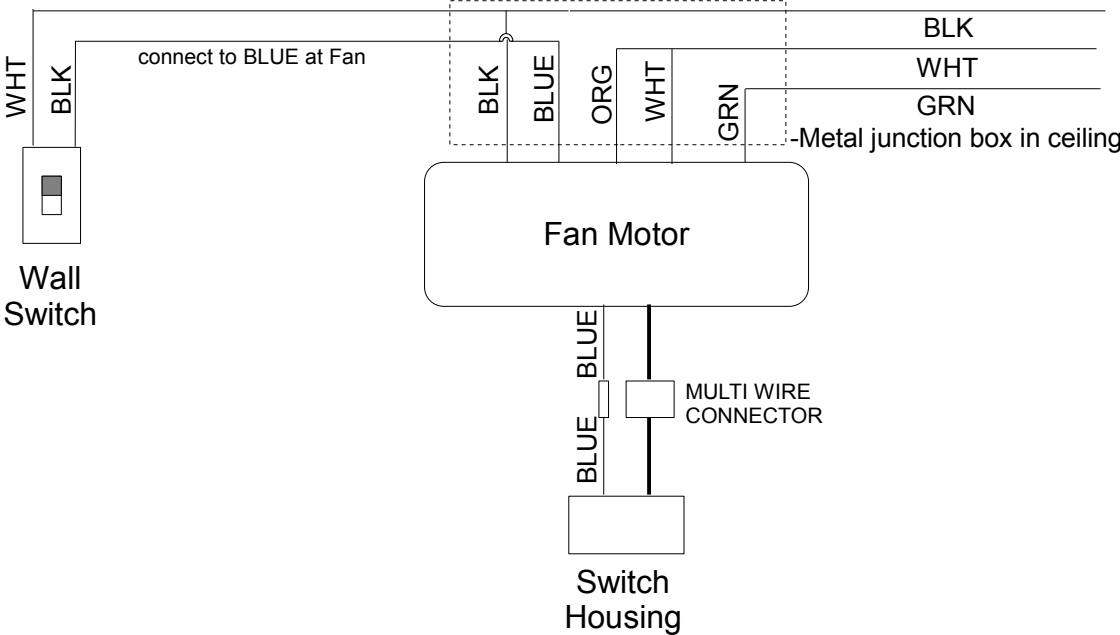
# Optional Wiring Diagrams for Fans with Up Lights

## KV52 Fans

**Power at ceiling box with 2 wires to Wall Switch  
Fan controlled by wall switch and Light(s) controlled by Pull Chain(s)**



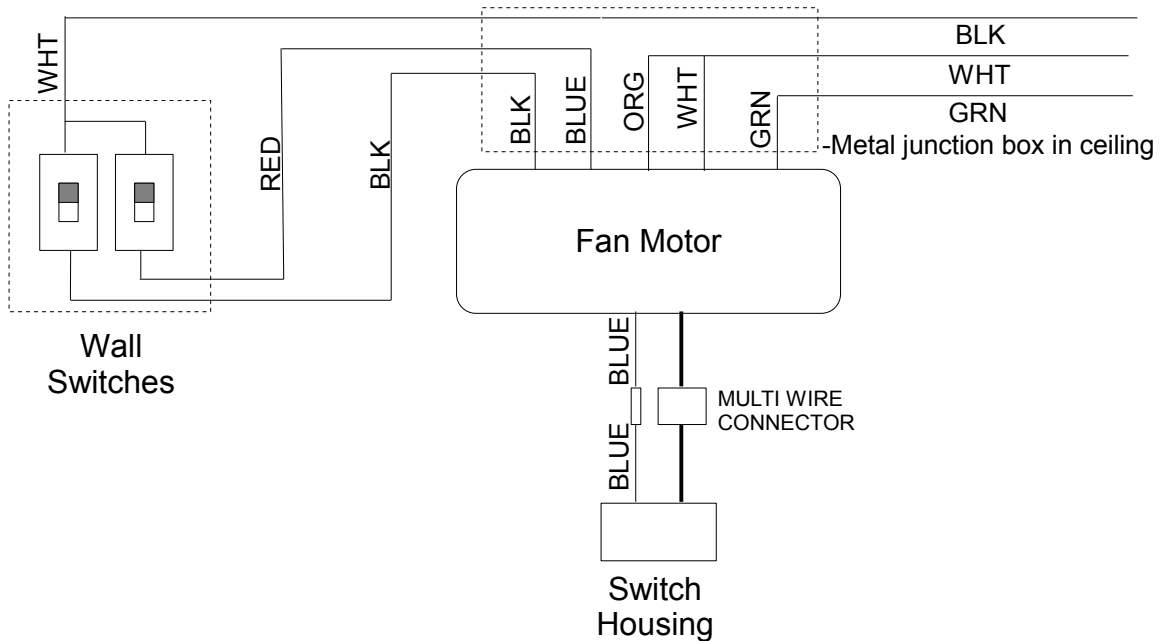
**Power at ceiling box with 2 wires to Wall Switch  
Light(s) controlled by wall switch and Fan controlled by Pull Chain**



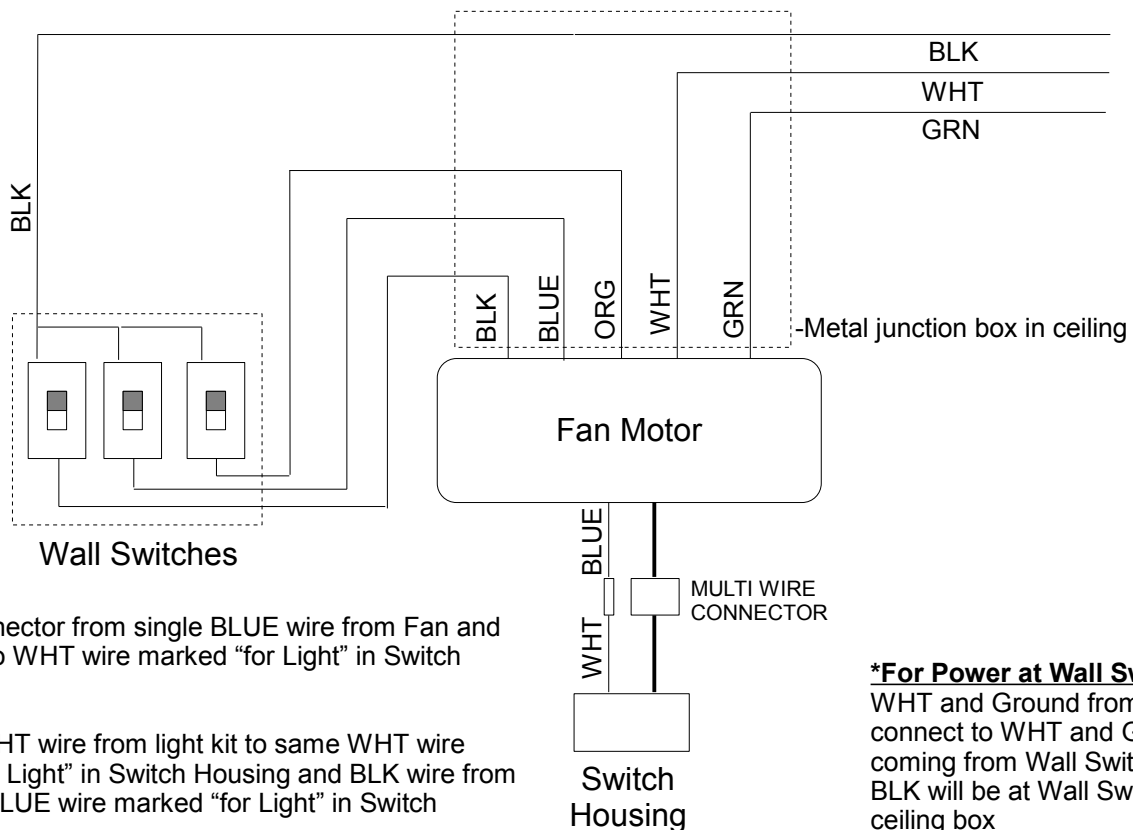
# Optional Wiring Diagrams for Fans with Up Lights

## KV52 Fans

**Power at ceiling box**  
**Fan and Lights controlled by Wall Switches**



**Power at ceiling box\***  
**Fan, Light Kit and Up Lights all controlled separately by Wall Switches**



Cut off connector from single BLUE wire from Fan and connect it to WHT wire marked "for Light" in Switch Housing

Connect WHT wire from light kit to same WHT wire marked "for Light" in Switch Housing and BLK wire from light kit to BLUE wire marked "for Light" in Switch Housing

**\*For Power at Wall Switches**

WHT and Ground from Fan connect to WHT and Ground coming from Wall Switches BLK will be at Wall Switches, not ceiling box